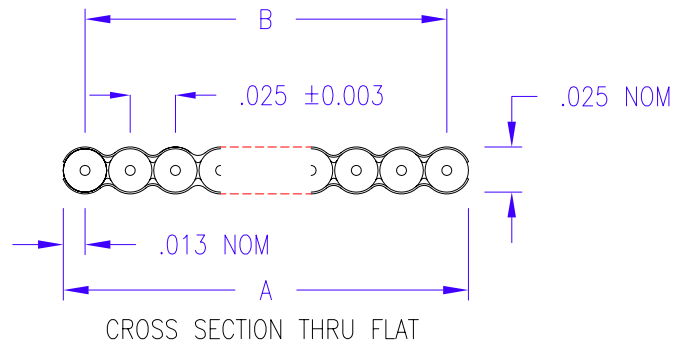


125-3096-900: X = 5.25 ±0.50" and Repeat  
[X = 133,35 ±12,7mm, and Repeat]



Part Number	Count	Pairs	A Span	B Span
125-3096-900	68	34	1.701 ±0.012	1.675 ±0.010

All Dimensions in Inches, Unless Otherwise Noted

#### PHYSICAL

Conductors: 30 AWG Solid Tinned Copper  
 Insulation: .007" TPE  
 Color Code: 1st Pair Blue/White followed by Orange/White and Repeat  
 Laminate: Polyester  
 Temperature Rating: 80°C

#### ELECTRICAL

Impedance: 90 ±6 ohms<sup>1</sup>      122 ±5 ohms<sup>2</sup>  
 Capacitance: 17 pF/ft @ 1 MHz<sup>1</sup>      11 pF/ft @ 1 MHz<sup>2</sup>  
 Propagation Delay: 1.45 ns/ft  
 Voltage Rating: 150 V  
 Current Rating: 0.75 A  
 DC Resistance: 105 ohm per 1,000 ft @ 20°C

<sup>1</sup> Above values measured Single-Ended, with one conductor of each pair commoned to one Buss(SCSI Mode)

<sup>2</sup> Above values measured Differentially.

Approvals: UL AWM Style 20744  
 CSA AWM

Print Legend: **Amphenol SPECTRA-STRIP**

RU<sup>®</sup> AWM 80C LL31941 CSA AWM I A80C 150V FT-1  
 30 AWG Solid Ultra 320 SCSI™ Compliant <Date Code>  
 Spectra-Green Lead Free/PBB Free

DRAWN	PROD ENG	QA	MKT	P/ECN#	DRAWING NO.	<b>AMPHENOL SPECTRA-STRIP</b> 720 SHERMAN AVE TEL (203) 281-3200 HAMDEN CT 06514 FAX (203) 281-5872	Rev G
4/17/02	8/3/04			775	TITLE: .025" TPO Twist 'N' Flat®		SHEET
					Full Lamination, 30 AWG Solid		1 of 1